

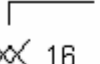
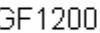

Specification Status: Released

Electrical Rating

Voltage: 16V MAX
Current: 100A MAX

Insulating Material:
Cured, Flame Retardant Epoxy Polymer
meets UL94 V-0 Requirements

Lead Material:
18 AWG Tin Plated Copper
(1.0mm [0.040] nom. Diameter)

Marking:
 Manufacturer's Mark and Voltage
 Part Identification
 Lot Identification (can be on back)

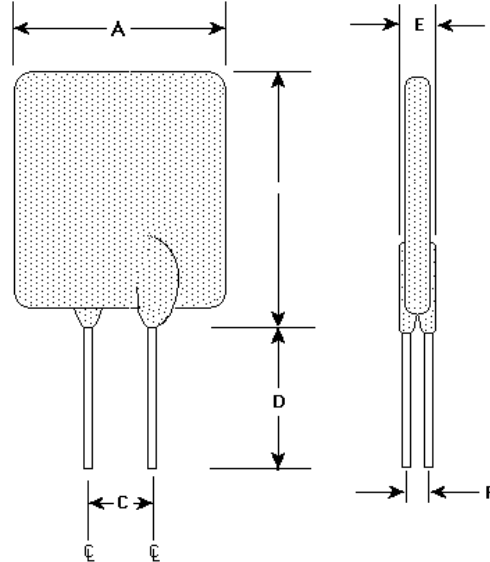


TABLE I. DIMENSIONS:

	A		B		C		D		E		F
	MIN	MAX	MIN	MAX	MIN	MAX	MIN	MAX	MIN	MAX	TYP
mm:	16.4	17.5	22.6	28.0	9.4	10.9	7.6	-	2.3	3.5	1.4
in*:	(0.65)	(0.69)	(0.89)	(1.10)	(0.37)	(0.43)	(0.30)	-	(0.09)	(0.14)	(0.06)

*Rounded off approximation

TABLE II. PERFORMANCE RATINGS:

I HOLD RATED CURRENT	CURRENT RATINGS		INITIAL RESISTANCE VALUES		TIME TO TRIP	R ₁ MAX 1 HR. POST TRIP RESISTANCE STANDARD TRIP	TRIPPED-STATE POWER DISSIPATION
AMPS AT 25°C HOLD	AMPS AT 25°C HOLD	AMPS AT 25°C TRIP	OHMS AT 25°C MIN	OHMS AT 25°C MAX	SECONDS AT 25°C, 60A MAX	OHMS AT 25°C MAX	WATTS AT 25°C TYP
12.0	12.0	20.4	0.0033	0.0057	7.5	0.0086	4.2

Agency Recognitions: UL, CSA, TUV.
 Reference Documents: PS300
 Precedence: This specification takes precedence over documents referenced herein.
 Effectivity: Reference documents shall be the issue in effect on the date of invitation for bid.
 CAUTION: Operation beyond the rated voltage or current may result in rupture, electrical arcing or flame.

Materials Information

ROHS Compliant **ELV Compliant** **Pb-Free**

